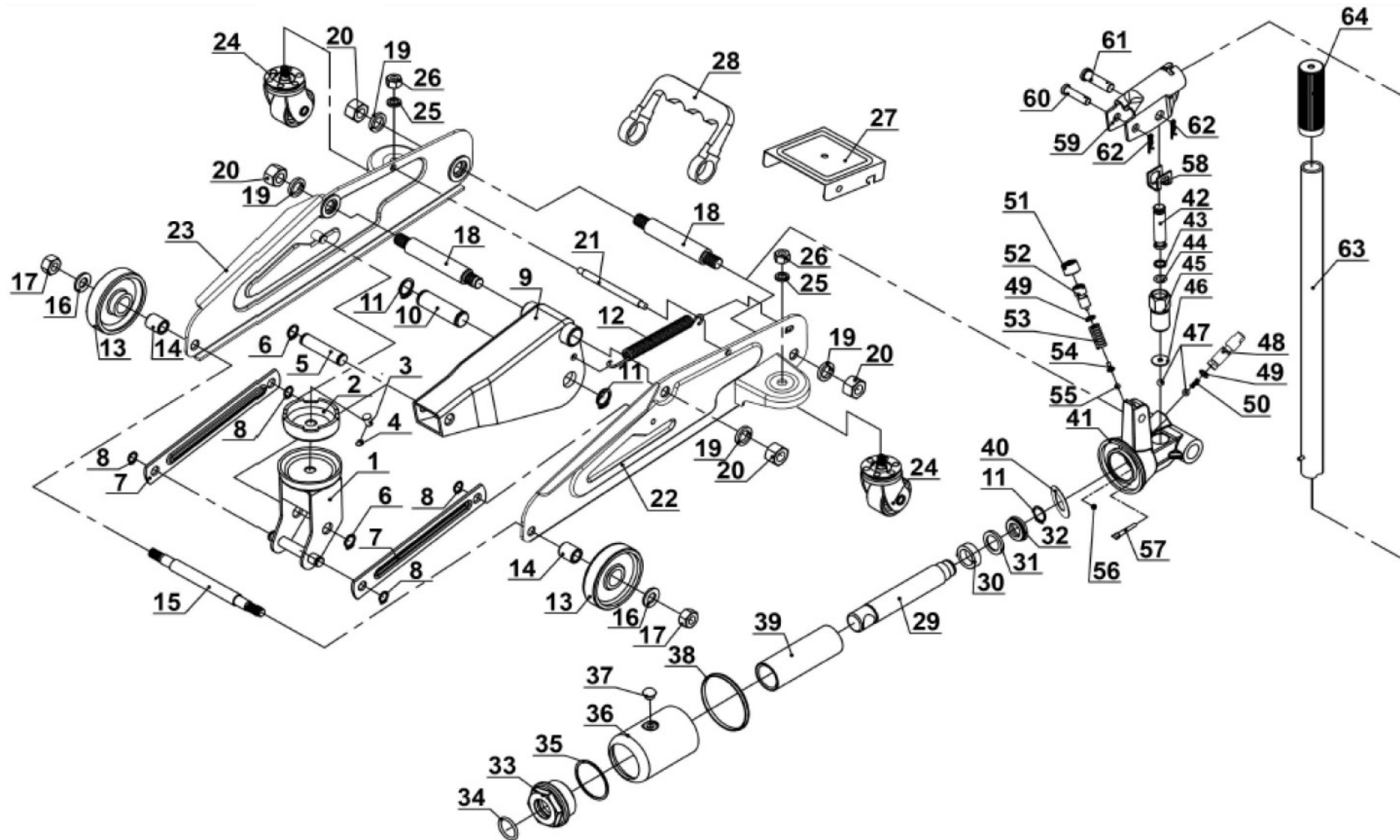




Parts Information:  
Trolley Jack 2 Tonne Hi-Vis Short Chassis with Storage Case  
Model No: 1050CXHV&1050CXDHV



**NOTE:** It is our policy to continually improve products and as such we reserve the right to alter data, specifications and component parts without prior notice.

There may be alternative versions of this product, please contact us should you require this information.

**IMPORTANT:** No liability is accepted for incorrect use of product. Spare parts must be fitted by a competent person

**WARRANTY:** Guarantee is 12 months from purchase date, proof of which will be required for any claim.

Sealey Group, Kempson Way, Suffolk Business Park, Bury St Edmunds, Suffolk, IP32 7AR



01284 757500



sales@sealey.co.uk



www.sealey.co.uk



Parts Information:  
**Trolley Jack 2 Tonne Hi-Vis Short Chassis  
 with Storage Case**  
**Model No: 1050CXHV&1050CXDHV**

| Item | Part No. | Description                   | Qty |
|------|----------|-------------------------------|-----|
| 1    | SQ0056   | Saddle Base                   | 1   |
| 2    | SQ0055   | Saddle                        | 1   |
| 3    | SQ0050   | Saddle Pin                    | 1   |
| 4    | SQ0025   | External Circlip 13.0mm ID    | 1   |
| 5    | SQ0052   | Axle                          | 1   |
| 6    | SQ0024   | External Circlip 12.0mm ID    | 2   |
| 7    | SQ0051   | Radius Link                   | 2   |
| 8    | SQ0023   | External Circlip              | 4   |
| 9    | SQ0417   | Lifting Arm Assembly 'Hi-Vis' | 1   |
| 10   | SQ0053   | Ram Plunger Axle              | 1   |
| 11   | SQ0027   | External Circlip 16.0mm ID.   | 3   |
| 12   | SQ0054   | Return Spring                 | 1   |
| 13   | SQ0058   | Front Wheel                   | 2   |
| 14   | SQ0059   | Wheel Bush                    | 2   |
| 15   | SQ0060   | Front Axle                    | 1   |
| 16   | FWM10.S  | Flat Washer M10 Zinc          | 2   |
| 17   | SN10.S   | Steel Nut M10 Zinc            | 2   |
| 18   | SQ0061   | Frame Pin                     | 2   |
| 19   | SWM12.S  | Spring Washer M12 Zinc        | 4   |
| 20   | SN12.S   | Steel Nut M12 Zinc            | 4   |
| 21   | SQ0062   | Frame Tie Rod                 | 1   |
| 22   | SQ0418   | Side Frame, Left 'Hi-Vis'     | 1   |
| 23   | SQ0419   | Side Frame, Right 'Hi-Vis'    | 1   |
| 24   | SQ0067   | Rear Castor Wheel Assembly    | 2   |
| 25   | SWM8.S   | Spring Washer M8 Zinc         | 2   |
| 26   | NLN8.S   | Nyloc Nut M8 Zinc             | 2   |
| 27   | SQ0063   | Cover Plate                   | 1   |
| 28   | SQ0064   | Carry Handle                  | 1   |
| 29   | SQ0044   | Ram Piston                    | 1   |
| 30   | SQ0350   | Bushing Cover                 | 1   |
| 31   | SQ0351   | Back-up Washer                | 1   |
| 32   | SQ0352   | U-Cup Seal                    | 1   |
| 33   | SQ0347   | Top Nut                       | 1   |
| 34   | SQ0353   | O-Ring (Ø25 x Ø3.55)          | 1   |

| Item | Part No.       | Description   | Qty |
|------|----------------|---|-----|
| 35   | SQ0348         | Seal Ring   | 1   |
| 36   | SQ0045         | Reservior   | 1   |
| 37   | SQ0138         | Oil Filler Plug   | 1   |
| 38   | SQ0349         | Wedge Ring  | 1   |
| 39   | SQ0046         | Cylinder  | 1   |
| 40   | SQ0340         | Flat Washer (Ø34 x Ø23 x 0.8)                           | 1   |
| 41   | SQ0342         | Base  | 1   |
| 42   | SQ0314         | Pump Piston   | 1   |
| 43   | SQ0315         | Back-up Washer  | 1   |
| 44   | SQ0316         | O-Ring (Ø7.7 x Ø1.9)                                    | 1   |
| 45   | SQ0317         | Pump  | 1   |
| 46   | SQ0318         | Flat Washer (Ø16 x 4 x 4 x 1)                           | 1   |
| 47   | SB-6.1         | Steel Ball 6.1mm  | 2   |
| 48   | SQ0343         | Release Valve   | 1   |
| 49   | SQ0311         | O-Ring (Ø6 x Ø3)  | 2   |
| 50   | SQ0344         | Release Valve Spring                                    | 1   |
| 51   | SQ0312         | Protection Cap  | 1   |
| 52   | SQ0313         | Safety Valve Screw                                      | 1   |
| 53   | SQ0074         | Safety Valve Spring                                     | 1   |
| 54   | SQ0111         | Safety Valve Base                                       | 1   |
| 55   | SB-4.0         | Steel Ball 4.0mm  | 1   |
| 56   | SB-5.0         | Steel Ball 5.0mm  | 1   |
| 57   | SQ0121         | Filter  | 1   |
| 58   | SQ0319         | Connection Sleeve                                       | 1   |
| 59   | SQ0068         | Handle Socket   | 1   |
| 60   | SQ0069         | Handle Socket Pin (A)                                   | 1   |
| 61   | SQ0070         | Handle Socket Pin (B)                                   | 1   |
| 62   | SQ0071         | Handle Socket Retaining Pin                             | 1   |
| 63   | SQ0073         | Handle  | 1   |
| 64   | SQ0072         | Handle Grip   | 1   |
| --   | SQ0049         | Hydraulic Unit Complete                                 | 1   |
| --   | SQ0048         | Repair Kit  | 1   |
| --   | 1050CXD.V4-BMC | Blow Moulded Case ( <b>1050CXDHV ONLY</b> ) (Not Shown) | 1   |

**NOTE:** It is our policy to continually improve products and as such we reserve the right to alter data, specifications and component parts without prior notice. There may be alternative versions of this product, please contact us should you require this information.

**IMPORTANT:** No liability is accepted for incorrect use of product. Spare parts must be fitted by a competent person

**WARRANTY:** Guarantee is 12 months from purchase date, proof of which will be required for any claim.

Sealey Group, Kempson Way, Suffolk Business Park, Bury St Edmunds, Suffolk. IP32 7AR



01284 757500



sales@sealey.co.uk



www.sealey.co.uk